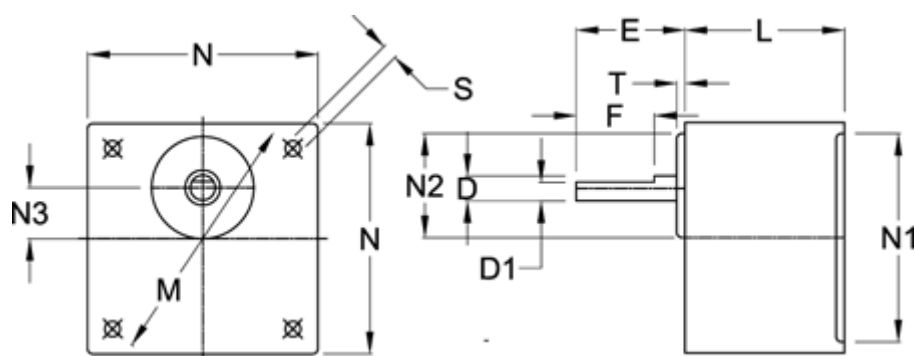


Article number: 72018012522

Description: Gear Head SGN12,5B I=12,5
Pinion input

Measures



D = 10	N2 = 34
D1 = 7.5	N3 = 15
E = 35	S = 4x \varnothing 5,5
F = 25	T = 5
L = 30	
M = 94	
N = 80	
N1 = 73	